

Horizontal carbonator G-413544 Datasheet



General information

Technical description

ODL carbonators are designed to integrate seamlessly into water dispensing systems, transforming ordinary tap water into sparkling water.

These carbonators have a particular design and could work in horizontal and vertical position. The carbonator can be supplied with or without mounting brackets. If you choose the version without brackets, it is essential to connect the inlets and outlets as shown in the drawing.

This product family is certified by NSF International in accordance with NSF/ANSI 18.

Applications

Domestic	●	●	●
Ho.Re.Ca.	●	○	○
Post mix system	●	○	○
Large communities	◐	○	○

Features

The tank body is made entirely of stainless steel, ensuring durability and resistance to corrosion and is available in different volumes and nozzle dimensions.

All models are equipped with a plug at the bottom.

The swivel fittings are molded in plastic and include connections for water and carbon dioxide, a level probe, and non-return valves.

Environment and operating conditions

Working fluid	H ₂ O, CO ₂
Safety valve nominal pressure	8.5 or 11bar
Maximum operating pressure	7.5 or 9.5bar
Water inlet optimal temperature	1 to 5°C
Burst pressure, stainless steel body	>100bar
Burst pressure, whole carbonator	20bar
Ambient operational temperature	1 to 50°C
Ambient operational RH	Up to 80%
Storage temperature	Up to 50°C
The component is designed for continuous operation	

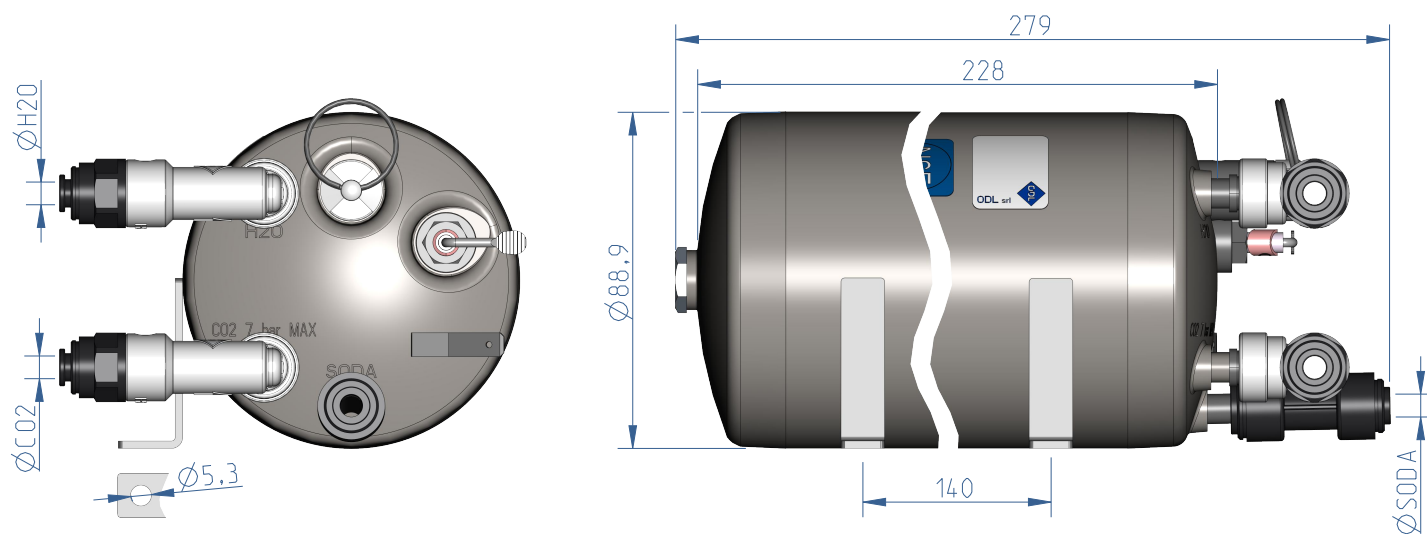


Horizontal carbonator G-413544 Datasheet



Dimensions, volumes and connections

Table below collect all the data of this product family, for any informations about tolerances contact ODL.



Working position	Vertical and horizontal
Mounting bracket	With or without
Inner total volume [L]	1.2
Water volume [L]	0.87 vertical, 0.92 horizontal
Filling factor [-]	0.73 vertical, 0.77 horizontal
Void weight [kg]	1.1
Water nozzle diameter [mm]	1.0
ØCO2 and ØH2O [mm]	Quick fitting Ø4, Ø6, Ø8 and Ø1/4" or female plastic thread G1/4"
ØSoda [mm]	Quick fitting Ø4, Ø6, Ø8 and Ø1/4" or pipe Ø8

Indication for external cleaning and sanitization

The information provided below is for guidance only. For complete details, please consult the product's Warnings and Instructions Manual.

Use only a clean, damp cloth and water for cleaning the exterior of the carbonator. Do not use any other cleaning agents or chemicals.

ODL carbonator is delivered clean and has undergone industrial washing procedures, it is crucial to clean and sanitize the carbonator after installation and before its first use with food or beverages. For internal sanitization, ODL recommends verifying the chemical compatibility of the chosen sanitizing fluid with the materials present in the carbonator. For guidance on the maximum temperatures and pressures to be used during sanitization, please contact ODL.

Food standards and certifications

This family of carbonators is compliant with these community and Italian legislation and their subsequent updates and changes and other international standards:

- Regulation (EC) No. 1935/2004,
- Regulation (EC) No. 2023/2006,
- EU Regulation 10/2011,
- D. M. 21/03/1973,
- Presidential Decree 777/82;
- Directive 2014/68/EU;
- NSF/ANSI 18.

Horizontal carbonator G-413544 Datasheet

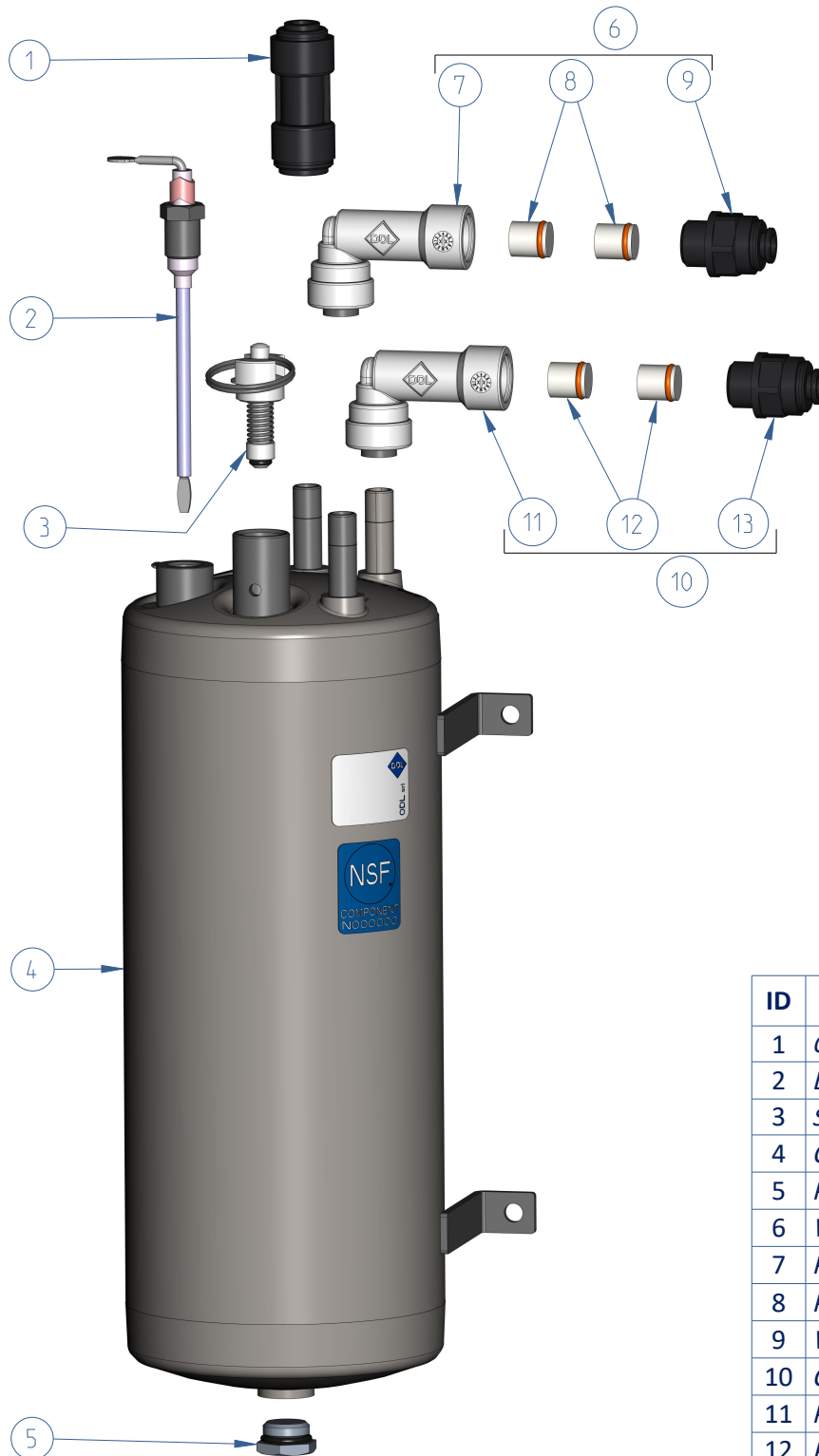


Spare parts

All spare parts available are reported in the table under column "SP".

*If the safety valve is replaced, it is classified only as a blow-off valve, not a safety component.

The system must therefore incorporate an alternative safety valve.



ID	DESCRIPTION	SP	q.ty
1	Outlet quick fitting	X	1
2	Level probe	X	1
3	Safety valve	X*	1
4	Carbonator body		1
5	Plug with OR	X	1
6	Water inlet fitting assembly	X	1
7	Plastic fitting for water inlet		1
8	Plastic non return valve for water		2
9	Water inlet quick fitting		1
10	CO2 inlet fitting assembly	X	1
11	Plastic fitting for CO2		1
12	Plastic non return valve for CO2		2
13	Co2 inlet quick fitting		1